

C.I.P.**280 FI. N. E.**

TAB.

II

Date

84-06-14

Pays d'origine: GB

Révision

02-05-15

CARTOUCHE MAXI**CHAMBRE MINI****Longueurs**

L1 [*]	=	55.40
L2 [*]	=	57.99
L3 ¹⁾	=	66.32
L4	=	
L5	=	
L6	=	87.88

Longueurs

L1 [*]	=	55.42
L2 [*]	=	58.01
L3 ¹⁾	=	66.57

Culot

R ¹⁾	=	1.52	-0.25
R1	=	15.49	
R3	=		
E	=		
E1	=		
e min	=		
δ	=		
f	=	0.30	
β	=	45°	

Cuvette

R ¹⁾	=	1.55
R1	=	15.75
R2	=	
R3	=	
r	=	

Chambre à poudre

P1	=	13.69
P2 [*]	=	10.72

Chambre à poudre

E	=	
P1 ¹⁾	=	13.72
P2 [*]	=	10.74

Cône de raccordement

α	=	53°07'48"
S	=	66.12
r1 min	=	
r2	=	

Cône de raccordement

α	=	53°07'48"
S	=	66.16
r1 max	=	
r2	=	

Collet

H1 [*]	=	8.13
H2 ¹⁾	=	8.13

Collet

H1 [*]	=	8.15
H2 ¹⁾	=	8.15

Projectile

G1 ¹⁾	=	7.29
G2	=	
F	=	
L3+G ¹⁾	=	71.86

Prise de rayures

G1 ¹⁾ *	=	7.34
G ¹⁾ *	=	5.54
α1	=	180°
h	=	
s	=	
i ¹⁾	=	1°30'
w	=	

Pressions (Énergies)**Méthode transducteur**

Pmax	=	2950 bar
PK	=	3393 bar
PE	=	3690 bar
M	=	25.00
EE	=	3550 Joule

Canon

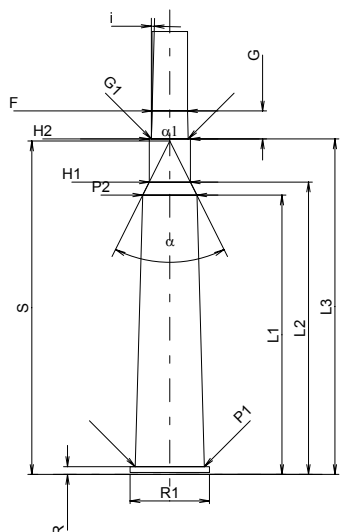
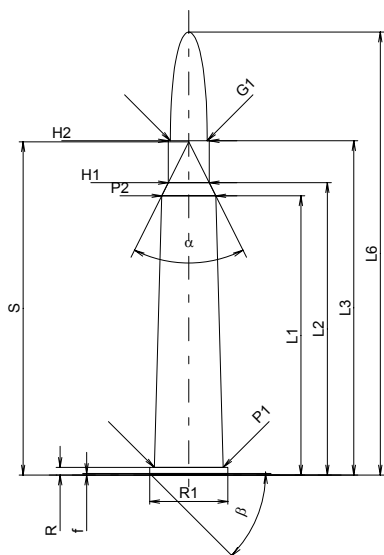
F ¹⁾ *	=	7.05
Z ¹⁾	=	7.30

Rayures

b	=	
N	=	
u	=	255.00
Q	=	39.04 mm ²

Autres indications

Fe ¹⁾	=	0.15
delta L	=	



Échelle 1:1.5

Dimensions en << mm >>
Dimensions et tolérances pour les canons
d'épreuve: Voyez Annexe CR 1.

Notes: 1) A' contrôler pour la sécurité
* Dimensions de base